

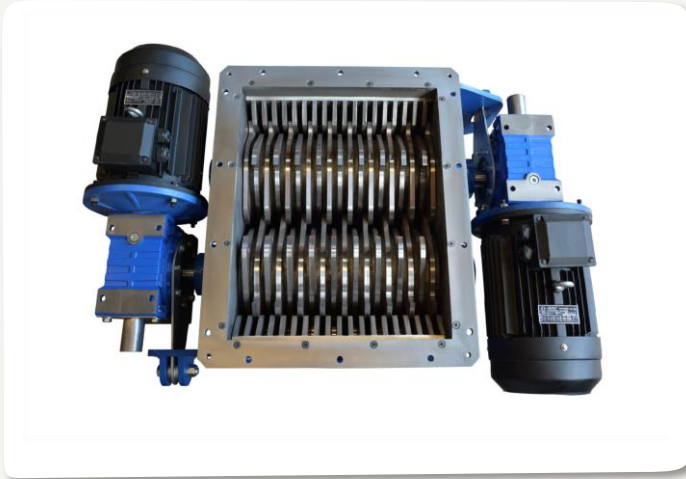


Twin Roll Shredder (TRS)

Contact us directly.

Mark & Wedell . Oldenvej 5 . 3490 Kvistgaard . Denmark .
[+45 49139822 . m-w@mark-wedell.com . \[www.mark-wedell.com\]\(http://www.mark-wedell.com\)](mailto:m-w@mark-wedell.com)

What does it do?



The Twin Roll Shredder (TRS) is designed for durable shredding of semi-hard bulk material like coal, coke, cement clinker, limestone, gypsum etc.

What's the benefit?

- The TRS has a solid design and very reliable performance.
- The TRS has low maintenance costs and low noise level.
- The TRS provides a unique self-cleaning action.
- A sieve placed underneath the rolls ensure that only 'small enough' particles exit the shredder.

Contact us directly.

Mark & Wedell . Oldenvej 5 . 3490 Kvistgaard . Denmark .
[+45 49139822 . m-w@mark-wedell.com . www.mark-wedell.com](mailto:m-w@mark-wedell.com)

How does it do it?

The TRS consists of an inlet opening, two counter-rotating rollers each with independent gear driven motors and a base frame. The material is fed by gravity into the top inlet opening, from where it is drawn into the shredding zone, by the two counter-rotating rollers. The twin rolls can be driven individually or synchronously controlled. To ensure that only small enough particle exits the unit a sieve is placed underneath the rolls. If a particle can not exit the hole in the sieve, it is being forced back into the inlet of the counter-rotating rollers.

The design ensures a unique self-cleaning action.

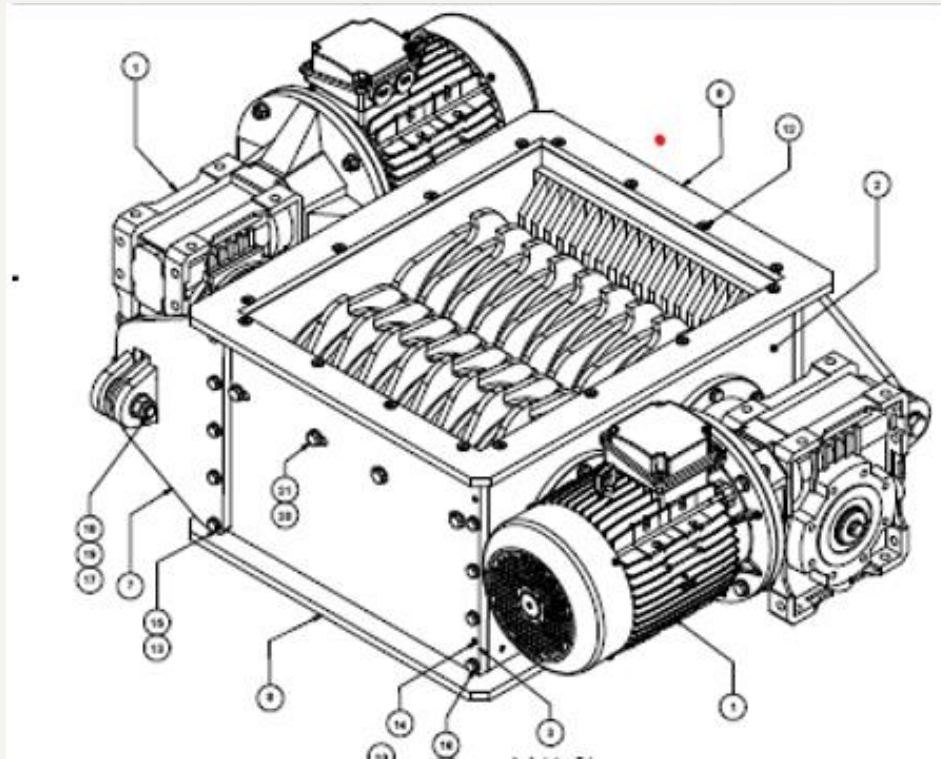
Specifications:

Usage specification:	Coal
Material Hardness HGI:	max 65.
Particle size (input):	100% < 200 mm, 90% < 50 mm, 25% < 2mm, 15% < 0.5 mm.
Particle size (output):	10 mm maximum
Material flow:	52,6 Litre/cut in 2 minutes = 27 liters/min = 22 kg/min.
Humidity of material:	up to 15%
Motor electric:	2pcs 5.5Kw 50Hz 1480rpm (for test run, data sheet in attachment DAA09BB55CF5)
Motor electric:	2pcs 5.5Kw 60hz 1780rpm (assembled by costumer)
Gearbox:	i=20 (data sheet in attachment W0110020009BF1)
Rotor speed:	75rpm (50Hz) 90rpm (60Hz)
Knives material:	Hardox 600

Contact us directly.

Mark & Wedell . Oldenvej 5 . 3490 Kvistgaard . Denmark .
[+45 49139822 . m-w@mark-wedell.com . www.mark-wedell.com](mailto:m-w@mark-wedell.com)

Drawing.



What is the standard?

M&W JAWO Sampling equipment and sampling systems operate in accordance with approved international material standards such as ISO, ASME, GOST, EN as well as DS3077 (2013). All sampling equipment and solutions aim for compliance with the principles laid down in the Theory of Sampling (TOS) and gives our customers reliable knowledge of the material properties such as moisture content, particle size distribution, mineral proportions, and content grade essential for commercial, operational, and technical characterization.

Contact us directly.

Mark & Wedell . Oldenvej 5 . 3490 Kvistgaard . Denmark .
[+45 49139822 . m-w@mark-wedell.com . \[www.mark-wedell.com\]\(http://www.mark-wedell.com\)](mailto:m-w@mark-wedell.com)

Variants/Options.

Options

The rollers come in a variety of geometries equipped with bigger or smaller hooks. The roll geometry and rotation speed can be configured depending on the specific material requirements.

About M&W.



Mark & Wedell A/S (M&W) is a global mechanical/electrical engineering and manufacturing company. M&W serves a solid and growing international customer base within the global mining-, minerals-, metals-, power generation- and big science markets.

We develop, engineer, and produce high quality mechanical and electrical machines, instruments, and solutions. Our brand JAWO and unique know-how is well recognized in our markets and among our customers due to more than 40 years of experience.

Contact us directly.

Mark & Wedell . Oldenvej 5 . 3490 Kvistgaard . Denmark .
[+45 49139822 . m-w@mark-wedell.com](mailto:m-w@mark-wedell.com) . www.mark-wedell.com