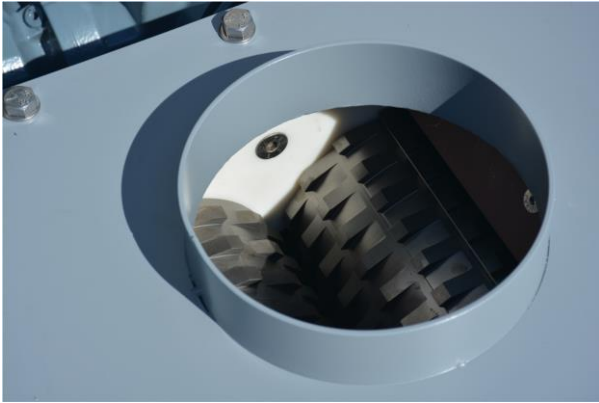


## Twin Roll Crusher (TRC)

**Contact us directly.**

Mark & Wedell . Oldenvej 5 . 3490 Kvistgaard . Denmark .  
[+45 49139822](mailto:m-w@mark-wedell.com) . [m-w@mark-wedell.com](mailto:m-w@mark-wedell.com) . [www.mark-wedell.com](http://www.mark-wedell.com)

## What does it do?



The Twin Roller Crusher (TRC) is designed for flexible particle size reduction of hard and semi-hard bulk material like coal, coke, cement clinker, limestone, gypsum and different types of ore.

## What's the benefit?

### **The Twin Roll Crusher (TRC):**

- Has a solid design and very reliable performance.
- Has low maintenance costs and low noise level.
- Is adjustable with respect to discharging particle size.
- Provides a unique self-cleaning action.

**Contact us directly.**

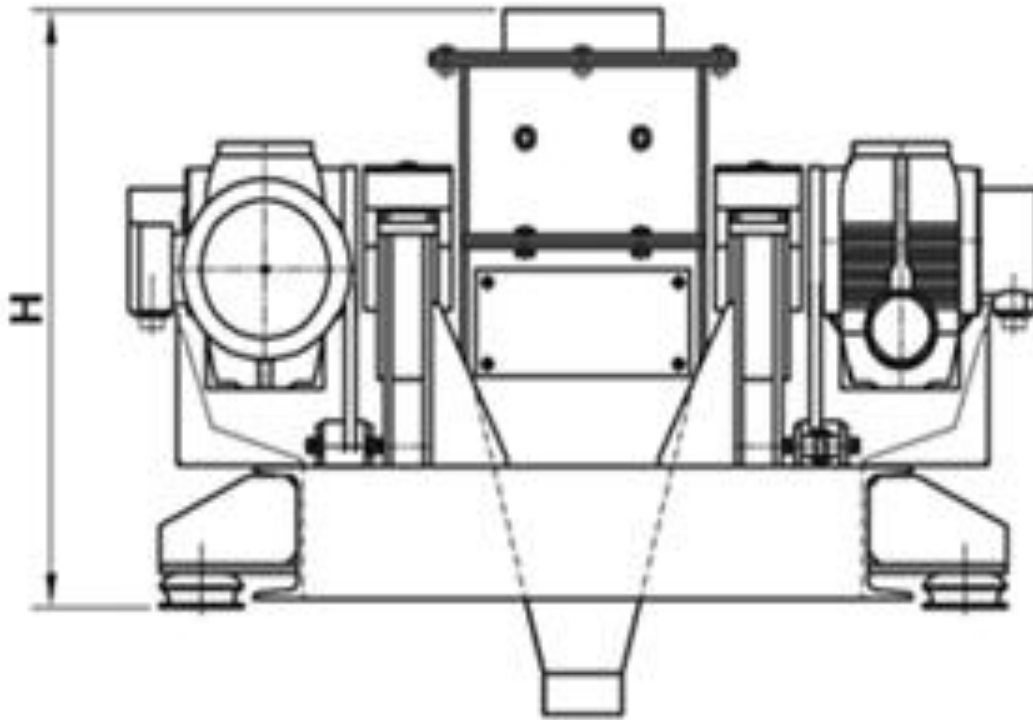
Mark & Wedell . Oldenvej 5 . 3490 Kvistgaard . Denmark .  
[+45 49139822 . m-w@mark-wedell.com](mailto:m-w@mark-wedell.com) . [www.mark-wedell.com](http://www.mark-wedell.com)

## How does it do it?

The TRC consists of an inlet opening, two counter-rotating rollers each with independent gear driven motors and a base frame. The material is fed by gravity into the top inlet opening, from where it is drawn into the crushing zone, by the two counter-rotating rollers. The twin rollers can be driven individually or synchronously controlled. The design ensures a unique self-cleaning action.



## Drawing.



## What is the standard?

M&W JAWO Sampling equipment and sampling systems operate in accordance with approved international material standards such as ISO, ASME, GOST, EN as well as DS3077 (2013). All sampling equipment and solutions aim for compliance with the principles laid down in the Theory of Sampling (TOS) and gives our customers reliable knowledge of the material properties such as moisture content, particle size distribution, mineral proportions, and content grade essential for commercial, operational, and technical characterization.

**Contact us directly.**

Mark & Wedell . Oldenvej 5 . 3490 Kvistgaard . Denmark .  
[+45 49139822 . m-w@mark-wedell.com . \[www.mark-wedell.com\]\(http://www.mark-wedell.com\)](mailto:m-w@mark-wedell.com)

## Variants/Options.

The rollers come in a variety of geometries equipped with smooth or rough crushing surfaces, with roll geometry and rotation speed to be configured depending on the specific material requirements.

## About M&W.



Mark & Wedell A/S (M&W) is a global mechanical/electrical engineering and manufacturing company. M&W serves a solid and growing international customer base within the global mining-, minerals-, metals-, power generation- and big science markets.

We develop, engineer, and produce high quality mechanical and electrical machines, instruments, and solutions. Our brand JAWO and unique know-how is well recognized in our markets and among our customers due to more than 40 years of experience.

### Contact us directly.

Mark & Wedell . Oldenvej 5 . 3490 Kvistgaard . Denmark .  
[+45 49139822](mailto:m-w@mark-wedell.com) . [m-w@mark-wedell.com](mailto:m-w@mark-wedell.com) . [www.mark-wedell.com](http://www.mark-wedell.com)