



Dual Splitter (DS)

Contact us directly.

Mark & Wedell . Oldenvej 5 . 3490 Kvistgaard . Denmark .
[+45 49139822](mailto:m-w@mark-wedell.com) . m-w@mark-wedell.com . www.mark-wedell.com

What does it do?



The Dual Splitter (DS) is used for splitting materials into two equal samples.

What's the benefit?

The Dual Splitter (DS):

- Is a simple and cost-effective way of splitting a material stream into two equal samples.
- Is easy to install and operate.
- Has low maintenance costs.

Contact us directly.

Mark & Wedell . Oldenvej 5 . 3490 Kvistgaard . Denmark .
[+45 49139822 . m-w@mark-wedell.com . \[www.mark-wedell.com\]\(http://www.mark-wedell.com\)](mailto:m-w@mark-wedell.com)

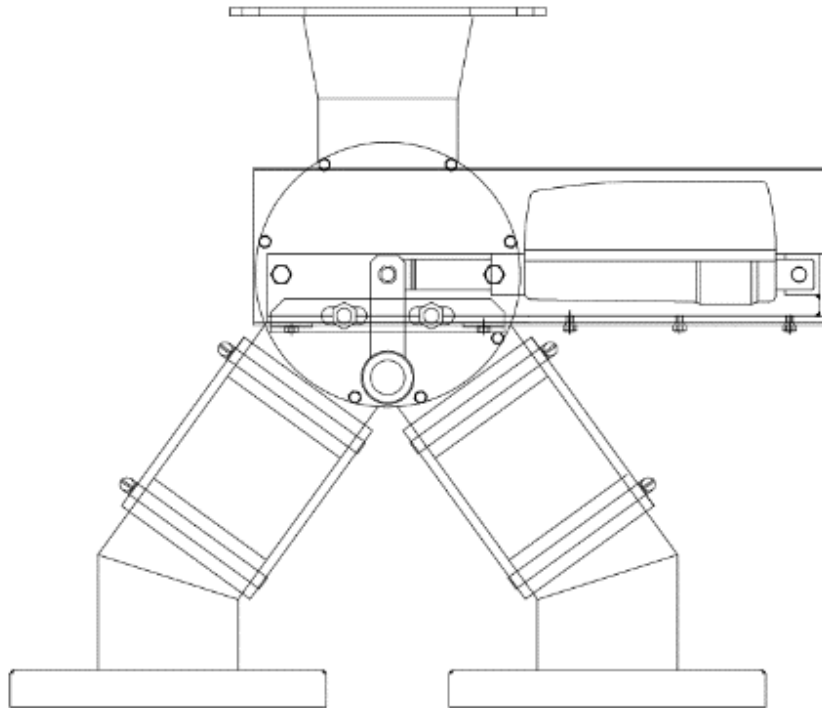
How does it do it?

The DS consists of an inlet (flange), a splitting gate with a direction actuator and two opposing outlets.

The inlet material is directed to the two alternative outlets by a dual-direction flap valve.



Drawing.



Variants/Options.

Option 1.

The M&W central control cabinet can exchange signals with the client's control system.

Option 2.

The DS can also be used to fill-up two sample buckets that is placed on a small steel structure. The sample bucket is fastened to both outlets by locking devices. These are easily opened by hand.

Contact us directly.

Mark & Wedell . Oldenvej 5 . 3490 Kvistgaard . Denmark .
[+45 49139822 . m-w@mark-wedell.com . \[www.mark-wedell.com\]\(http://www.mark-wedell.com\)](mailto:m-w@mark-wedell.com)

What is the standard?

M&W JAWO Sampling equipment and sampling systems operate in accordance with approved international material standards such as ISO, ASME, GOST, EN as well as DS3077 (2013). All sampling equipment and solutions aim for compliance with the principles laid down in the Theory of Sampling (TOS) and gives our customers reliable knowledge of the material properties such as moisture content, particle size distribution, mineral proportions, and content grade essential for commercial, operational, and technical characterization.

About M&W.



Mark & Wedell A/S (M&W) is a global mechanical/electrical engineering and manufacturing company. M&W serves a solid and growing international customer base within the global mining-, minerals-, metals-, power generation- and big science markets.

We develop, engineer, and produce high quality mechanical and electrical machines, instruments, and solutions. Our brand JAWO and unique know-how is well recognized in our markets and among our customers due to more than 40 years of experience.

Contact us directly.

Mark & Wedell . Oldenvej 5 . 3490 Kvistgaard . Denmark .
[+45 49139822 . m-w@mark-wedell.com . \[www.mark-wedell.com\]\(http://www.mark-wedell.com\)](mailto:m-w@mark-wedell.com)